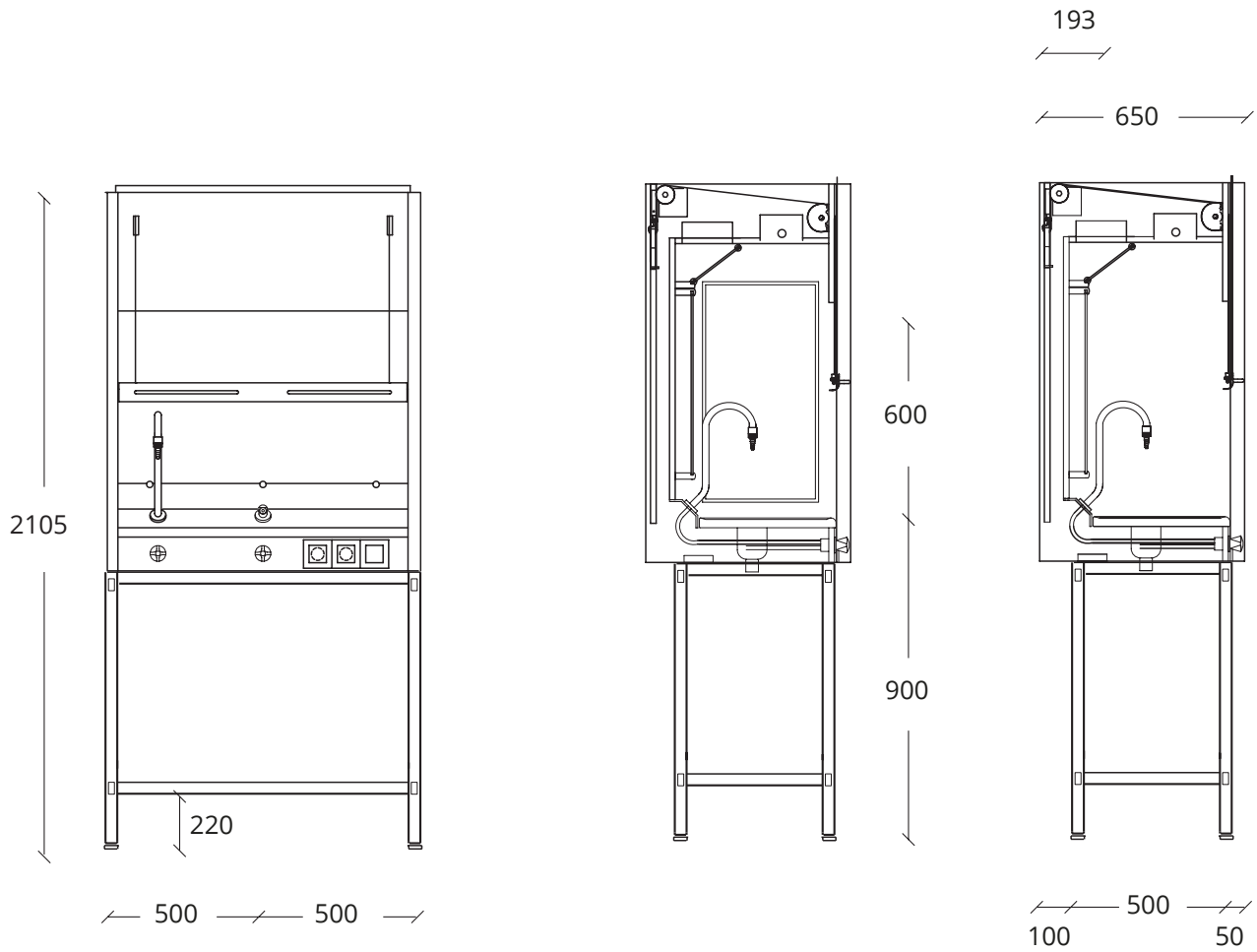




Fume hood

Technical specifications

Fume hood model 300



SPECIFICATIONS

Width	1000 mm
Depth	650 mm
Height	1230 mm
Internal cupboard height	1012 mm
Sash opening (max.)	600 mm
Sash material	Toughened glass, 5 mm
Ventilation: Connection size	1 x Ø160 mm / 1 x Ø250 mm
Noise in dB ²	Max. 40

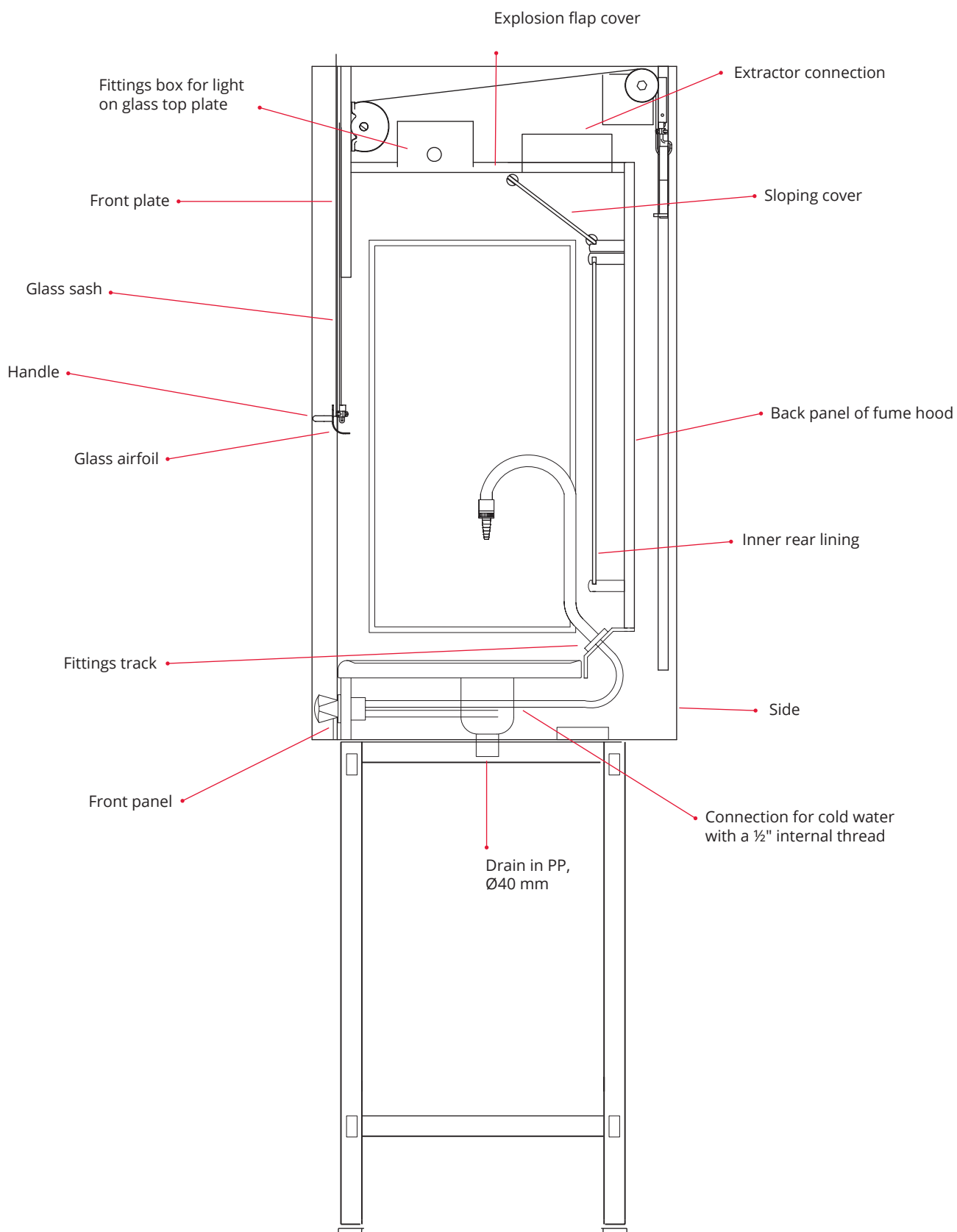
¹⁾ Galvanized steel

²⁾ Does not exceed ISO 3746 Grade 3

CHOICE OF SIDES

Without glass
Glass in right and left side
Glass in right side
Glass in left side
Glass in back panel, right and left side
Glass in back panel and right side
Glass in back panel and left side
Glass in back panel

Fume hood features



Specifications

FUNCTIONAL DESCRIPTION

- Sash in toughened safety glass with rounded, polished corners.
- Stainless steel safety wire with weights provides a steady, infinitely variable raising/lowering of the sash.
- Easy to clean surfaces.
- Easy access light fitting on top of the fume hood.
- Explosion flap.
- Gas, water and air fittings can be integrated in the fittings track inside the fume hood.
- Easy connection to ventilation system via connection on top of the fume hood.
- Glass airfoil for better flow into the fume hood. Reduces turbulence around the opening.
- Electrical sockets/switches, etc. are located separately in the fume hood.
- The fume hood should be installed on a worktop frame or a base cupboard.

MATERIAL DESCRIPTION

- **Sides:** 40 mm laminate coated chipboard.
- **Back panel:** 18 mm laminate coated MDF.
- **Inner rear lining:** 6 mm compact laminate.
- **Sloping cover:** 6 mm compact laminate.
- **Cover (top of the fume hood):** 20 mm plywood/laminate.
- **Front plate:** 18 mm laminate coated MDF.
- **Front panel:** 18 mm laminate coated MDF.
- **Worktop:** Acid-proof stainless steel. Available with or without drip cup.
- **Glass top plate:** 5 mm toughened safety glass.
- **Fittings box:** 1 mm powder coated sheet steel.
- **Light fitting:** LED fluorescent tubes or long life fluorescent tubes. Meets the requirements of DS 700 for an illumination intensity of min. 500 lux on the work object.
- **Ventilation:** Steel tube Ø160 mm or PP conical connection Ø250 mm.
- **Sash:**
 - 5 mm toughened safety glass with rounded, polished BFS edges
 - Glass airfoil in 1.5mm 316 stainless steel
 - Stainless steel wire
 - D-handle, acid-proof stainless steel

AIR VOLUME / VELOCITY

Work opening in metres	Air volume m ³ /h	Air velocity m/s
0.30	420	0.42
0.40	420	0.32
0.50	420	0.25

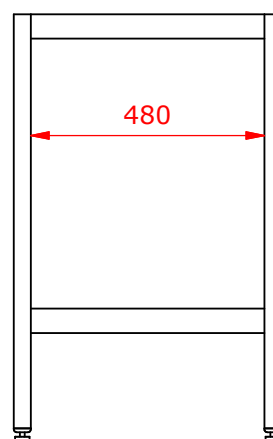
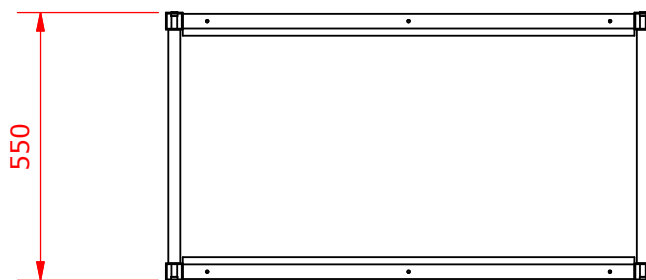
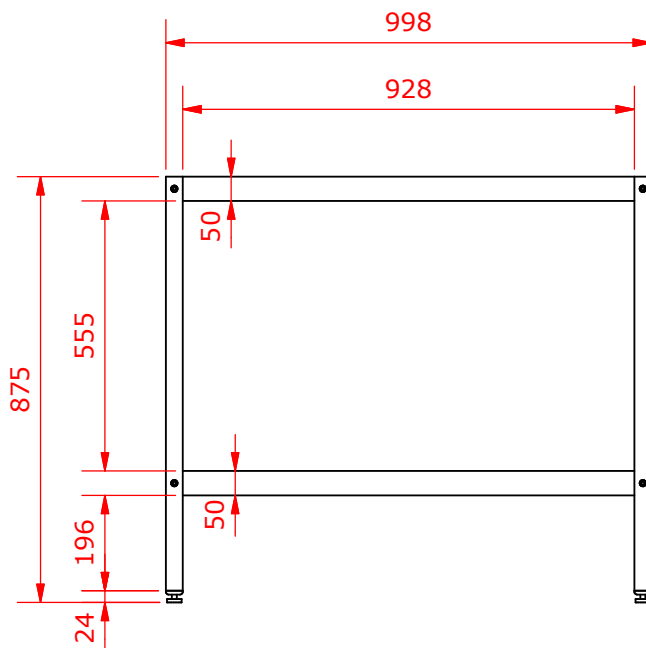
Air volumes measured using Ø160 mm connection

Fume hood options

Fume hoods can be supplied and installed with a steel worktop frame or with a base cupboard.



Example: Fume hood installed on a worktop frame



www.st-skoleinventar.com

ST Skoleinventar creates the well-being for children, students and adults in tomorrow's learning environments
Further information: www.st-skoleinventar.com

DENMARK

ST Skoleinventar A/S
Gl. Kongevej 14-20
DK-6880 Tarm
T +45 9737 1188
info@st-skoleinventar.dk

UNITED KINGDOM

ST Skoleinventar A/S
Gl. Kongevej 14-20
DK-6880 Tarm
T +45 9737 1188
hem@st-skoleinventar.dk

NORWAY

ST Skoleinventar A/S (NUF)
Gl. Kongevej 14-20
DK-6880 Tarm
T +45 9737 1188
info@st-skoleinventar.dk